

ICS 13.300
A80

GB

National Standard of the People's Republic of China

GB 15258 – 2009
To Replace GB 15258 – 1999

General Rule for Preparation of Precautionary Label for Chemicals

Issued on June 21 2009

To take effect on May 1 2010

Issued by

General Administration of Quality Supervision, Inspection and Quarantine of the
People's Republic of China

And

Standardization Administration of the People's Republic of China

Foreword

Articles 4.1, 4.2, 4.3, 5.1, 5.2 and Sections 5.4.1 and 5.4.2 in the Standard are mandatory, whilst the rest are recommended.

The conformity degree between this Standard and its corresponding regulation, the second revised edition of “*Globally Harmonized System of Classification and Labeling of Chemicals*” (GHS), is non-equivalent.

The Standard replaces GB 15258 – 1999 *General Rule for Preparation of Precautionary Label for Chemicals*.

The main differences between this Standard when compared to GB 15258-1999 are:

- the label contents in Article 4.2 have been modified;
- “Label dimensions” has been added to Article 5.3;
- “Simplified labels” has been added to Article 4.3; and
- Appendices A, B, C have been modified to include designed examples of precautionary labels, and pasting examples of precautionary labels and transport symbols, and precautionary statements have been provided for different categories of chemicals.

Appendices A, B and C to the Standard are informative appendices.

The implementation date of this Standard is XX date, XX month of 200X year; its transition period for implementation from the implementation date shall be one year.

This Standard is proposed by and is under the jurisdiction of the Dangerous Chemicals Management of Standardization Administration of China (SAC/TC251).

The organizations that participated in the drafting of this Standard:

Qingdao Safety Engineering Institute of SINOPEC (China Petroleum & Chemical Corporation); and

State Key Laboratory of Chemical Safety and Control

The main drafters of this Standard:

JI Guo-Feng, LI Yun-Cai, GUO Xiu-Yun, LI Yong-Xing, LI Xue-Hua, CHEN Jun, PENG Xiang-Wei, CAO Yong-You and ZHANG Hai-Feng.

This Standard replaces the previously issued Standards:

- GB/T 15258 – 1994 and GB 15258 – 1999.

General Rule for Preparation of Precautionary Label for Chemicals

1. Scope

This Standard specifies the relevant definitions, content, preparation requirements and application methods of precautionary labels for chemicals.

This Standard applies to the compiling, preparation and application of precautionary labels for chemicals.

Where the precautionary label of a product is specified by a special standard, i.e. for pesticides, gas cylinders, etc., these shall be conducted in accordance with said special standard.

2. Normative References

The provisions of the following documents become provisions of this Standard after being referenced. For dated reference documents, all later amendments (excluding corrigenda) and versions do not apply to this Standard; however, the parties to the agreement are encouraged to study whether the latest versions of these documents are applicable. For undated reference documents, the latest versions apply to this Standard.

GB/T 12268 List of dangerous goods

GB 20576 Safety rules for classification, precautionary labeling and precautionary statements of chemicals – Explosives

GB 20577 Safety rules for classification, precautionary labeling and precautionary statements of chemicals – Flammable gases

GB 20578 Safety rules for classification, precautionary labeling and precautionary statements of chemicals – Flammable aerosols

GB 20579 Safety rules for classification, precautionary labeling and precautionary statements of chemicals – Oxidizing gases

GB20580 Safety rules for classification, precautionary labeling and precautionary statements of chemicals – Gases under pressure

GB 20581 Safety rules for classification, precautionary labeling and precautionary statements of chemicals – Flammable liquids

GB 20582 Safety rules for classification, precautionary labeling and precautionary

statements of chemicals – Flammable solids

GB 20583 Safety rules for classification, precautionary labeling and precautionary statements of chemicals – Self-reactive substances

GB 20584 Safety rules for classification, precautionary labelling and precautionary statements of chemicals – Self-heating substances

GB20585 Safety rules for classification, precautionary labelling and precautionary statements of chemicals – Pyrophoric liquids

GB20586 Safety rules for classification, precautionary labeling and precautionary statements of chemicals - Pyrophoric solids

GB20587 Safety rules for classification, precautionary labeling and precautionary statements of chemicals – Substances which, in contact with water, emit flammable gases

GB20588 Safety rules for classification, precautionary labeling and precautionary statements of chemicals – Corrosive to metals

GB20589 Safety rules for classification, precautionary labeling and precautionary statements of chemicals – Oxidizing liquids

GB20590 Safety rules for classification, precautionary labeling and precautionary statements of chemicals – Oxidizing solids

GB20591 Safety rules for classification, precautionary labeling and precautionary statements of chemicals – Organic peroxides

GB20592 Safety rules for classification, precautionary labeling and precautionary statements of chemicals – Acute toxicity

GB20593 Safety rules for classification, precautionary labeling and precautionary statements of chemicals – Skin corrosion/ irritation

GB20594 Safety rules for classification, precautionary labeling and precautionary statements of chemicals – Serious eye damage/ eye irritation

GB20595 Safety rules for classification, precautionary labeling and precautionary statements of chemicals - Respiratory or skin sensitization

GB20596 Safety rules for classification, precautionary labeling and precautionary statements of chemicals – Germ cell mutagenicity

GB20597 Safety rules for classification, precautionary labeling and precautionary statements of chemicals – Carcinogenicity

GB20598 Safety rules for classification, precautionary labeling and precautionary statements of chemicals – Reproductive toxicity

GB20599 Safety rules for classification, precautionary labeling and precautionary statements of chemicals – Specific target organ systemic toxicity – Single exposure

GB20601 Safety rules for classification, precautionary labeling and precautionary statements of chemicals – Specific target organ systemic toxicity – Repeated exposure

GB20602 Safety rules for classification, precautionary labeling and precautionary statements of chemicals – Hazardous to the aquatic environment

UN Recommendations on the Transport of Dangerous Goods, Model Regulations

3. Terms and definitions

The terms and definitions listed below apply to this Standard.

3.1 Label

Label means a group of written text, pictograms and codes indicating the hazardous nature of and safety precautions for a chemical substance, which can be affixed to, printed on or attached to the container of a hazardous product, or to the outer packaging thereof.

3.2 Label element

Label element means one type of information that has been harmonized for use on a label, e.g. chemical identification, pictogram, signal word, hazard statement, precautionary statement, emergency phone number, supplier identification and reference consulting guiding words, etc.

3.3 Signal word

Signal word means a word used to indicate the relative level of severity of hazard and to alert the reader to a potential hazard on the label.

3.4 Symbol

Symbol means a graphical element intended to succinctly convey information.

3.5 Pictogram

Pictogram means a graphical composition that includes a symbol plus another graphic element, such as a border, background pattern or color, which is intended to convey

specific information.

3.6 Hazard statement

Hazard statements means a statement assigned to a hazard class or category that describes the nature of the hazards of a hazardous product, including, where appropriate, the degree of hazard.

3.7 Precautionary statement

Precautionary statement means a phrase (and/ or a pictogram) that describes recommended measures that should be taken to minimize or prevent adverse effects resulting from exposure to a hazardous product, or improper storage or handling of a hazardous product.

3.8 Physical hazard

Physical hazard means all hazardous natures such as the nature of the explosive, the flammable (highly flammable or flammable, auto-flammable, flammable when in contact with water), the self-reactive, the oxidizing, the hazardous nature of gas under pressure and the hazardous nature of metal corrosive.

3.9 Health hazard

Health hazard refers to the research conducted in accordance with determined scientific methods, proved by the statistical data of the research, any adverse effects thereof (acute toxicity or chronic toxicity) to human health which occur following oral, dermal or exposure to certain chemicals.

3.10 Environmental hazard

Environmental hazard means any hazard which is produced after the chemical has entered the environment by way of environmental storing up, gathering of organisms, organism transformation or chemical reaction.

4. Labels

4.1 Label elements

Label elements consist of chemical identification, pictograms, signal words, hazard statements, precautionary statements, emergency phone numbers, supplier identification and reference consulting guiding words, etc.

4.2 Contents

4.2.1 Chemical identification

Chemical identification is the chemical name of a substance or its common name marked clearly in Chinese and English respectively. The name marked shall be visibly eye-catching, located at the top of the label. The name shall be identical to the name listed in the Material Safety Data Sheet.

For mixtures, the chemical names or common names of the main hazardous ingredients of the chemical and the concentration or concentration ranges thereof shall be marked. Ingredients which are part of a business secret do not have to be marked, but the dangerous nature thereof shall be listed.

4.2.2 Pictogram

The pictograms specified in GB 20576 – GB 20599 and GB 20601 - GB 20602 shall be adopted.

4.2.3 Signal word

According to the hazard level and hazard category of the chemical, the two signal words “Danger” and “Warning” should be used to indicate the signalling of the hazard level. The signal word shall be located below the name of the chemical, and must be eye-catching and clear. Different signal words should be used for different types of hazardous chemicals in accordance with GB 20576 – GB 20599 and GB 20601 - GB 20602.

4.2.4 Hazard statement

Hazard statement gives a concise account of the hazard characteristics of the chemical and is located below the signal word. Choose different hazard statements for different types of hazardous chemicals in accordance with GB 20576 – GB 20599 and GB 20601 - GB 20602.

4.2.5 Precautionary statement

The precautionary statement is used to explain matters to which attention must be paid during the operation of the disposal, handling, storage and application of the chemical, and the simple but effective precaution measures that should be taken when accidents occur; the statement should be brief and to the point. The precautionary statement shall include content such as safety prevention measures, what to do in case of an accident (e.g. leak, personal exposure or fire, etc.), safety storage measures and disposal. See Appendix C for the details of precautionary statements.

4.2.6 Supplier identification

The name, address, postcode and phone number(s) etc. of the supplier.

4.2.7 Emergency phone number

Fill in the manufacturer of the chemical or the 24-hour emergency phone number(s) for chemical accidents which are entrusted by the manufacturer.

On the precautionary label of any imported chemical, there shall be at least one 24-hour emergency phone number, which is located in China, for chemical accidents.

4.2.8 Reference consulting guiding words

For guidance for chemical consumers refer to the Material Safety Data Sheet.

4.2.9 Precedence of hazard information

If a chemical has two or more hazardous natures, the precedence of the pictogram, signal word and hazard statement of the precautionary label shall be specified as below:

4.2.9.1 Precedence of the pictograms

The pictogram precedence of the physical hazard shall be determined in accordance with the primary/secondary hazard natures specified in GB 12268. For chemicals which are not listed in GB 12268, the following hazard natures of the hazard categories shall always be the primary hazards: explosives, flammable gases, flammable aerosols, oxidizing gases, gases under pressure, self-reactive substances and mixtures, combustible substances and organic peroxides. The determination of other primary hazards shall be conducted in accordance with the precedence determination methods of the hazardous natures specified in the “UN Recommendations on the Transport of Dangerous Goods, Model Regulations”.

Health hazards shall be in accordance with the following precedence: if the skull or crossbones applies, the exclamation mark should not appear; if the corrosive symbol applies, the exclamation mark should not appear where it is used for skin or eye irritation; if the health hazard symbol appears for respiratory sensitization, the exclamation mark should not appear where it is used for skin sensitization or for skin or eye irritation.

4.2.9.2 Precedence of the signal words

When multiple hazards exist, if the signal word “Danger” is selected, then the signal word “Warning” should not appear.

4.2.9.3 Precedence of the hazard statement

All hazard statements shall appear on the precautionary label and shall be listed in order of physical hazards, health hazards and environment hazards.

4.3 Simplified label

For chemical packages of 100ml or less, for the convenience of the application of the label the elements of the precautionary label can be simplified and shall contain only the chemical identification, pictogram, signal word, hazard statement, emergency phone number, supplier's name and contact phone number, and reference consulting guiding words.

4.4 Precautionary label examples

See Appendix A for examples of the precautionary label.

5 Preparation

5.1 Compiling

The explanatory text of the label shall use simple, direct, clear and easy to understand

normative written Chinese. Written languages of national minorities or foreign languages may also be used, but the meaning stated shall correspond to the meaning indicated in the written Chinese text, and the font size shall be smaller than the Chinese font. Text of the same meaning shall be represented by the same language or pictogram. If new information is discovered concerning a certain chemical, its label shall be revised promptly.

5.2 Color

The colors of the pictogram on the label shall be determined in accordance with the provisions specified in GB 20576 – GB 20599 and GB 20601 – GB 20602; this is usually a black symbol on a white background with a red square border. The color of the text shall be a color which is in clear contrast to the background, usually black-white. If it is for domestic use, then the color of the square border can be black.

5.3 Label dimensions

For containers and packages with different capacities, the minimum dimensions of the labels are shown as in the following table:

Table 1 the minimum dimensions of the labels

Capacity of container or packaging/ L	Label dimensions (mm x mm)
≤ 0.1	Use simplified label
$> 0.1 \sim \leq 3$	50 x 75
$> 3 \sim \leq 50$	75 x 100
$> 50 \sim \leq 500$	100 x 150
$> 500 \sim \leq 1000$	150 x 200
> 1000	200 x 300

5.4 Printing

5.4.1 There shall be a black border added along the edge of the label, there shall be a space which is equal to or greater than 3mm remaining outside of the border, and the width of the border shall be equal or greater than 1mm.

5.4.2 The pictogram must be seen even from a distance, or even under mist conditions or parts of the container are not clear.

5.4.3 The printing of the label shall be clear, and the printing and adhesive materials used shall be durable and waterproof.

6 Applications

6.1 Application methods

6.1.1 The precautionary label shall be affixed to, attached to, or printed onto the chemical packaging or clearly placed elsewhere on the container.

6.1.2 When used together with the transport symbol, the transport symbol can be located next to the precautionary label, separate from all other information. The

transport symbol can also be placed in a position close to the precautionary label on the packaging, under the latter and, if the pictogram of the precautionary label and the transport symbol are repeated with one another, then the pictogram in the precautionary label shall be deleted.

6.1.3 For composite packages, the inner packaging must have a precautionary label and the outer packaging must have a transport pictogram; if the transport symbol is not required then the precautionary label can be added. See Appendix B.

6.2 Location

The affixing and printing positions of the precautionary labels are specified as below:

- a) drum, bottle shaped packages: located at sides of the drum, bottle;
- b) box-shaped packages: located at the ends of the packages or sides where they are clearly visible;
- c) bag, bundle packages: located at the clear visible places of the packages.

6.3 Matters requiring attention when applying labels




6.3.1 The affixing, attaching or printing of the precautionary label shall be firm and shall be guaranteed not to fall off or be damaged during transportation or storage.

6.3.2 The precautionary label shall be affixed, attached or printed by the production enterprise before the goods leave the factory. If the packaging must be changed, then the unit which is responsible for changing the packaging shall affix, attach or print the labels again.





6.3.3 If packages or containers containing dangerous chemicals are treated and approved as being free from any hazardous nature, then the precautionary label can be taken removed; otherwise, any corresponding labels shall not be removed.

Annex A
(Informative Appendix)
Example of Precautionary Label for Chemical

A.1 Example of precautionary label

Chemical Name	Ingredient A: 40%; Ingredient B: 60%
<div style="background-color: #cccccc; padding: 5px; margin-bottom: 10px;">DANGER</div> <div style="display: flex; justify-content: space-around; align-items: center;"></div> <p>Highly flammable liquid and vapor, fatal if swallowed, major toxicity to aquatic organisms</p> <p>[Prevention measures]</p> <ul style="list-style-type: none">a) Keep away from heat/spark/open flame/hot surface, use only non-sparking tools;b) Keep container tightly closed;c) Use electrostatic prevention measures, ground/bond container and receiving equipment;d) Use explosion-proof electrical/ventilating/lighting and other equipment;e) Wear protective gloves/eye protection/face protection;f) Wash contracted body parts thoroughly after handling;g) Do not eat, drink and smoke at the workplace; andh) Avoid release into the environment. <p>[Accident response]</p> <ul style="list-style-type: none">a) If on skin (or hair): immediately remove (take off) all contaminated clothing. Rinse skin with water/shower;b) If swallowed, induce vomiting, get immediate medical advice/attention;c) Collect spillage; andd) In case of fire, use dry chemical, foam, or carbon-dioxide for extinction. <p>[Safety storage]</p> <ul style="list-style-type: none">a) Store in well-ventilated place. Keep cool; andb) Store locked up. <p>[Discard disposal]</p> <ul style="list-style-type: none">a) Dispose of contents/containers by incineration. <hr style="border: 0.5px solid black;"/> <p style="text-align: center;">Please refer to the Material Safety Date Sheet</p> <p>Supplier: xxxxxxxxxxxxxxxxxxxxxxxx Phone Number: xxxxxxxxxxxxxxxxxxxxxxxx Address: xxxxxxxxxxxxxxxxxxxxxxxx Postcode: xxxxxxxxxxxxxxxxxxxxxxxx</p> <p>Emergency phone number for chemical accidents: xxxxxxxxx</p>	

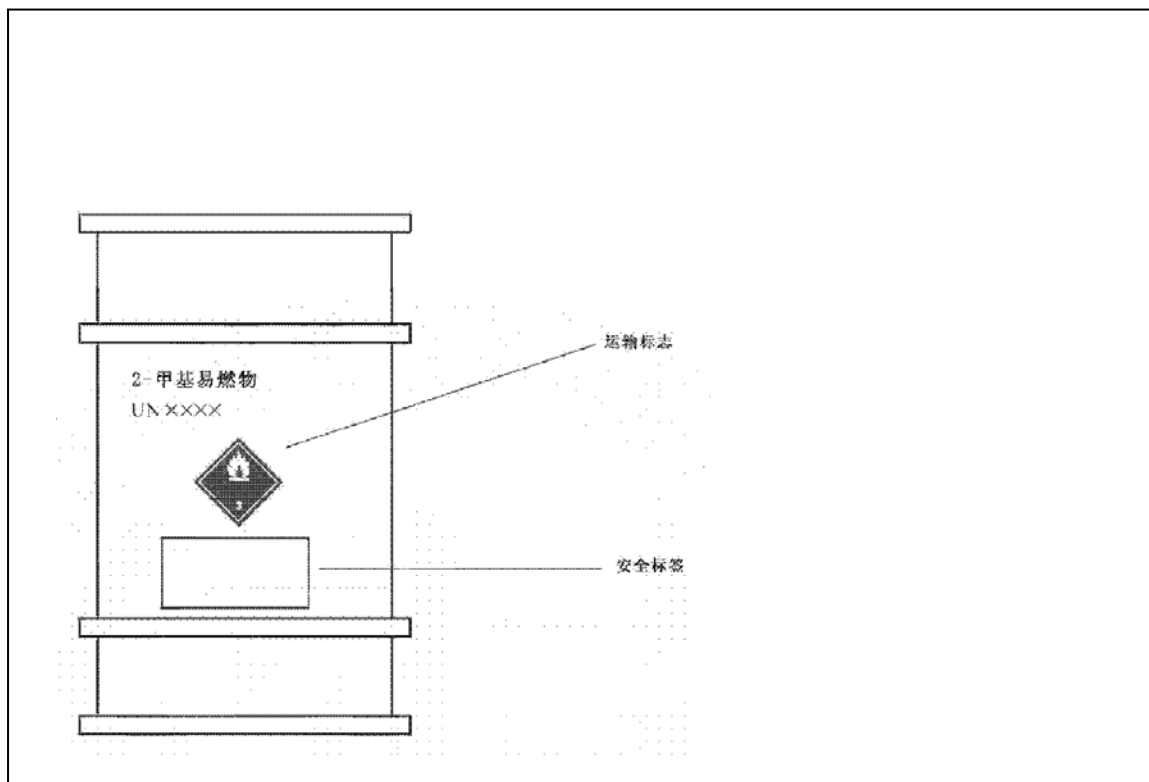
A.2 Example of simplified label

Chemical Name	
 DANGER	  
Highly flammable liquid and vapor, fatal if swallowed, major toxicity to aquatic organisms	
Please refer to the Material Safety Data Sheet	
Supplier: xxxxxxxxxxxxxxxxxxxxxxxx	Phone number:xxxxxxxxxx
Emergency phone number for chemical accidents: xxxxxxxxx	

Annex B
(Informative Appendix)

Pasting Example of Precautionary Label and Transport Symbol for Chemical

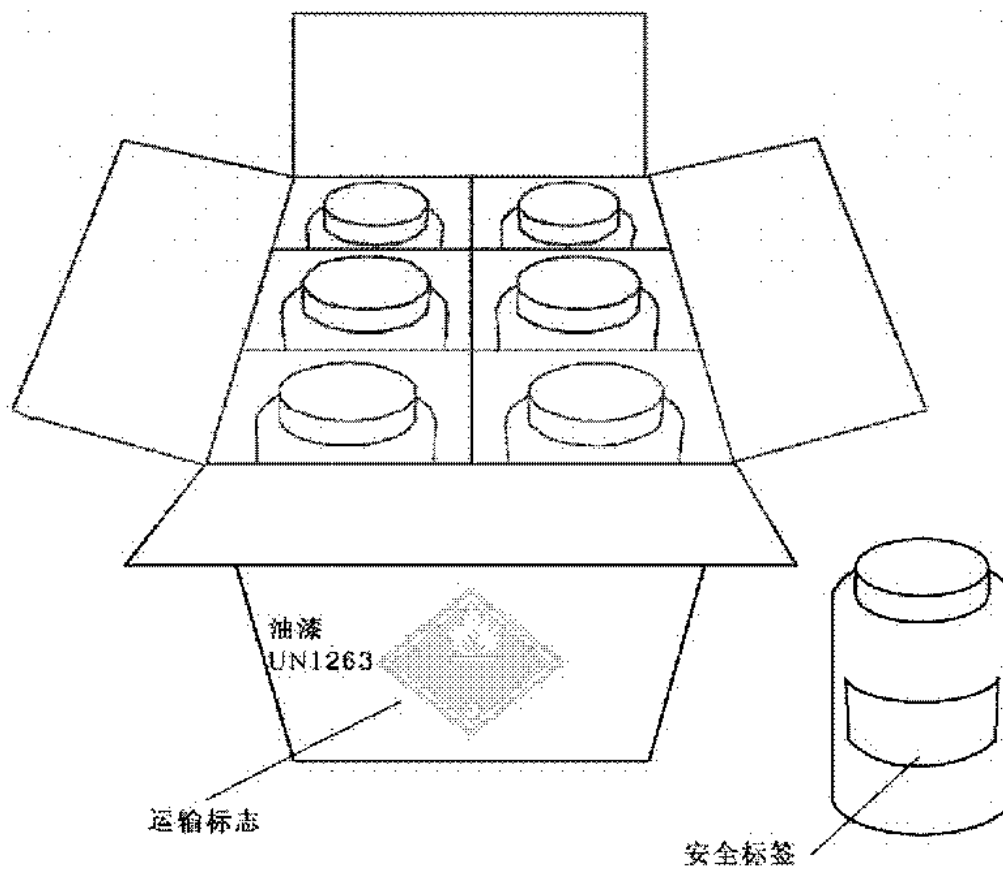
B.1 Pasting example of precautionary label for single packaging



Left side: 2-Methyl flammable
UNXXXX

Right side (Top-down): Transport symbol
Precautionary label

B.2 Pasting example of precautionary label for combination packaging



Left to Right:

- Transport symbol
- Faint UN1263
- Precautionary label

Annex C
(Informative Appendix)
Precautionary Label Statements for Chemicals

C.1 This precautionary statement can be combined or adjusted in accordance with the actual circumstances under which the chemicals are applied. The wording in the table is the core part; the term ‘note’ is used to explain the content of the statements according to situations, so as to determine the application of the statements on the precautionary labels.

Hazard Category		Precautionary Statements			
		Prevention measures	Accident response	Safety storage	Disposal
Explosive	Unstable explosive	<ul style="list-style-type: none"> • Obtain special instructions before use. • Do not handle until all safety precautions have been read and understood. • Use personal protective equipment as required. 	<ul style="list-style-type: none"> • Explosion risks in case of fire. • Do not fight fire when fire reaches explosives • Evacuate area 	Store..... Note: fill in according to local/ regional/ national/ international regulations (rules).	Dispose of contents/ containers to.....fill in according to local/ regional/ national/ international regulations (rules)
	Division 1.1 Division 1.2 Division 1.3	<ul style="list-style-type: none"> • Keep away from heat/ sparks/ open flames/ hot surfaces. --No smoking. Note: Manufacturer/supplier or the competent authority to specify applicable ignition source(s). <ul style="list-style-type: none"> • Keep wetted with... Note: ...Manufacturer/supplier or the competent authority to specify appropriate material. If drying out increases the explosion hazard, except as needed for	<ul style="list-style-type: none"> • In case of fire: evacuate area. • Explosion risk in case of fire. • Do not fight fire when fire reaches explosives. 	Store..... Note: fill in according to local/ regional/ national/ international regulations (rules).	Dispose of contents/ containers to.....fill in in accordance with local/ regional/ national/ international regulations (rules)

		<p>manufacturing or operating processes (e.g. nitrocellulose).</p> <ul style="list-style-type: none"> • Container and ground/receiving equipment <p>Note: if the explosive is electrostatically sensitive</p> <ul style="list-style-type: none"> • Do not subject to grinding/shock/...friction. <p>Note: manufacturer/supplier or competent authority to specify applicable rough handling.</p> <ul style="list-style-type: none"> • Wear face protection <p>Note: manufacturer/supplier or competent authority to specify type of protective equipment.</p>			
	Division 1.4	<ul style="list-style-type: none"> • Keep away from heat/sparks/ open flames/ hot surfaces. --No smoking. <p>Note: Manufacturer/supplier or the competent authority to specify applicable ignition source(s).</p> <ul style="list-style-type: none"> • Container and ground/receiving equipment <p>Note: if the explosive is electrostatically sensitive</p> <ul style="list-style-type: none"> • Do not subject to grinding/shock/...friction. <p>Note: manufacturer/supplier or competent authority to specify applicable rough handling.</p> <ul style="list-style-type: none"> • Wear face protection <p>Note: manufacturer/supplier or competent authority to specify type</p>	<ul style="list-style-type: none"> • In case of fire: evacuate area. • Explosion risk in case of fire. <p>Note: except if explosives are 1.4S</p> <p><i>AMMUNITIO N AND COMPONENTS THEREOF.</i></p> <ul style="list-style-type: none"> • Do not fight fire when fire reaches explosives. • Fight fire with normal precautions from a reasonable distance. 	<p>Store.....</p> <p>Note: fill in in accordance with local/regional/national/international regulations (rules).</p>	<p>Dispose of contents/containers to.....fill in in accordance with local/regional/national/international regulations (rules)</p>

		of protective equipment.	Note: If explosives are 1.4S <i>AMMUNITION AND COMPONENTS THEREOF.</i>		
	Division 1.5	<ul style="list-style-type: none"> • Keep away from heat/sparks/ open flames/ hot surfaces. --No smoking. <p>Note: Manufacturer/supplier or the competent authority to specify applicable ignition source(s).</p> <ul style="list-style-type: none"> • Keep wetted with... 	<ul style="list-style-type: none"> • In case of fire: evacuate area. • Explosion risk in case of fire. • Do not fight fire when fire reaches explosives. 	Store..... Note: fill in in accordance with local/regional/national/international regulations (rules).	Dispose of contents/containers to.....fill in in accordance with local/regional/national regulations (rules)
		<p>Note: ...Manufacturer/supplier or the competent authority to specify appropriate material.</p> <p>If drying out increases the explosion hazard, except as needed for manufacturing or operating processes (e.g. nitrocellulose).</p> <ul style="list-style-type: none"> • Container and ground/receiving equipment <p>Note: if the explosive is electrostatically sensitive</p> <ul style="list-style-type: none"> • Do not subject to grinding/shock/...friction. <p>Note: manufacturer/supplier or competent authority to specify applicable rough handling.</p>			

		<ul style="list-style-type: none"> Wear face protection <p>Note: manufacturer/supplier or competent authority to specify type of protective equipment.</p>			
Flammable gases	1	<p>Keep away from heat/ sparks/ open flames/ hot surfaces. --No smoking.</p> <p>Note: Manufacturer/supplier or the competent authority to specify applicable ignition source(s).</p>	<p>Leaking gas fire: do not extinguish unless leak can be stopped safely.</p> <p>Eliminate all ignition sources if safe to do so.</p>	<p>Store at a well-ventilated place</p>	
	2	<p>Keep away from heat/ sparks/ open flames/ hot surfaces. --No smoking.</p> <p>Note: Manufacturer/supplier or the competent authority to specify applicable ignition source(s).</p>	<p>Leaking gas fire: do not extinguish, unless leak can be stopped safely.</p> <p>Eliminate all ignition sources if it is safe to do so.</p>	<p>Store at a well-ventilated place</p>	
Flammable aerosols	1 2	<ul style="list-style-type: none"> Keep away from heat/sparks/ open flames/ hot surfaces. --No smoking. <p>Note: Manufacturer/supplier or the competent authority to specify applicable ignition source(s).</p> <ul style="list-style-type: none"> Do not spray on an open flame or other ignition source. Pressured container: do not pierce or burn, even after use. 		<p>Protect from sunlight. Do not expose to temperatures exceeding 50°C.</p>	
Oxidizing gases	1	<ul style="list-style-type: none"> Keep/store away from clothing/.../combustible materials. <p>Note:Manufacturer/supp</p>	<p>In case of fire: stop leak if safe to do so.</p>	<p>Store at a well-ventilated place.</p>	

		<p>lier or the competent authority to specify other incompatible materials.</p> <ul style="list-style-type: none"> • Keep reduction valves free from grease and oil 			
Gases under pressure	-Compressed Gas			Protect from sunlight. Store at a well-ventilated place	
	Liquefied Gas				
	Dissolved gas				
	Refrigerated Liquefied gas	Wear cold insulating gloves/face shield/eye protection	<ul style="list-style-type: none"> • Thaw frosted parts with lukewarm water. Do not rub affected area. • Get immediate medical advice/attention 	Store at a well-ventilated place	
Flammable liquid	1 2 3	<ul style="list-style-type: none"> • Keep away from heat/sparks/ open flames/ hot surfaces. --No smoking. <p>Note: Manufacturer/supplier or the competent authority to specify applicable ignition source(s).</p> <ul style="list-style-type: none"> • Keep container tightly closed. • Ground/bond container and receiving equipment 	<ul style="list-style-type: none"> • If ON SKIN (or hair): remove/take off all contaminated clothing immediately. Rinsing skin with water/shower. • In case of fire: use ...for extinction. <p>Note: ...manufacturer/supplier or the competent</p>	<p>Store at a well-ventilated place.</p> <p>Keep cool.</p>	<p>Dispose of contents/containers</p> <p>to.....fill in in accordance with local/regional/national/international regulations (rules)</p>

			authority to specify appropriate fire-extinguishing agent.		
		<p>Note: if electrostatically sensitive material is for reloading; if product is volatile so as to generate hazardous atmosphere.</p> <ul style="list-style-type: none"> • Use explosion-proof electrical/ventilating/lighting /.../equipment. <p>Note: manufacturer/supplier or the competent authority to specify other equipment.</p> <ul style="list-style-type: none"> • Use only non-sparking tools. • Take precautionary measures against static discharge. • Wear protective gloves/ eye protection/ face protection. <p>Note: manufacturer/supplier or the competent authority to specify type of protective equipment.</p>	<ul style="list-style-type: none"> • If water increases risk. 		

	4	<ul style="list-style-type: none"> • Keep away from open flames/ hot surfaces. --No smoking. • Wear protective gloves/ eye protection/ face protection. <p>Note: manufacturer/supplier or the competent authority to specify type of protective equipment.</p>	<ul style="list-style-type: none"> • In case of fire: use ...for extinction. <p>Note: ...manufacturer/supplier or the competent authority to specify appropriate fire-extinguishing agent.</p> <ul style="list-style-type: none"> • If water increases risk. 	<p>Store at a well-ventilated place</p> <p>Keep cool.</p>	<p>Dispose of contents/ containers to.....fill in in accordance with local/ regional/ national/ international regulations (rules)</p>
Flammable solids	1 2	<ul style="list-style-type: none"> • Keep away from heat/ sparks/ open flames/ hot surfaces. --No smoking. <p>Note: Manufacturer/supplier or the competent authority to specify applicable ignition source(s).</p> <ul style="list-style-type: none"> • Ground/bond container and receiving equipment note: if electro-statically sensitive material is for reloading; • Use explosion-proof electrical/ventilating/lighting /.../equipment. <p>Note: manufacturer/supplier or the competent authority to specify other equipment.</p> <p>If dust clouds can occur;</p> <ul style="list-style-type: none"> • Wear protective gloves/ eye protection/ face protection. <p>Note: manufacturer/supplier or the competent authority to</p>	<ul style="list-style-type: none"> • In case of fire: use ...for extinction. <p>Note: ...manufacturer/supplier or the competent authority to specify appropriate fire-extinguishing agent.</p> <ul style="list-style-type: none"> • If water increases risk. 		

		specify type of protective equipment.			
Self-reactive substances and mixtures	Type A	<ul style="list-style-type: none"> Keep away from heat/sparks/ open flames/ hot surfaces. --No smoking. <p>Note: Manufacturer/supplier or the competent authority to specify applicable ignition source(s).</p> <ul style="list-style-type: none"> Keep/store away from clothing/.../combustible materials. <p>Note:Manufacturer/supplier or the competent authority to specify other incompatible materials.</p> <ul style="list-style-type: none"> Keep only in original container. Wear protective gloves/ eye protection/ face protection. <p>Note: manufacturer/supplier or the competent authority to specify type of protective equipment.</p>	<ul style="list-style-type: none"> In case of fire: use ...for extinction. <p>Note: ...manufacturer/supplier or the competent authority to specify appropriate fire-extinguishing agent.</p> <p>Note: If water increases risk.</p> <ul style="list-style-type: none"> In case of fire: Evacuate area. Fight fire remotely due to the risk of explosion. 	<ul style="list-style-type: none"> Store at a well-ventilated place. Keep cool. Store temperature not exceeding.....°C. <p>Note: manufacturer/supplier or the competent authority to specify temperature.</p> <ul style="list-style-type: none"> Store away from other materials. 	Dispose of contents/ containers to.....fill in in accordance with local/ regional/ national international regulations (rules)
	Type B	<ul style="list-style-type: none"> Keep away from heat/sparks/ open flames/ hot surfaces. --No smoking. <p>Note: Manufacturer/supplier or the competent authority to specify applicable ignition source(s).</p> <ul style="list-style-type: none"> Keep/store away from clothing/.../combustible materials. <p>Note:Manufacturer/supplier or the competent authority to specify other incompatible materials.</p>	<ul style="list-style-type: none"> In case of fire: use ...for extinction. <p>Note: ...manufacturer/supplier or the competent authority to specify appropriate fire-extinguishing agent.</p> <p>Note: If water increases risk.</p> <ul style="list-style-type: none"> In case of 	<ul style="list-style-type: none"> Store in a well-ventilated place. Keep cool. Store temperature not exceeding.....°C. <p>Note: manufacturer/supplier or the competent authority to specify temperature.</p> <ul style="list-style-type: none"> Store away from other materials. 	Dispose of contents/ containers to.....fill in in accordance with local/ regional/ national international regulations (rules)

		<ul style="list-style-type: none"> • Keep only in original container. • Wear protective gloves/ eye protection/ face protection. <p>Note: manufacturer/supplier or the competent authority to specify type of protective equipment.</p>	<p>fire: Evacuate area. Fight fire remotely due to the risk of explosion.</p>		
	Type C Type D Type E Type F	<ul style="list-style-type: none"> • Keep away from heat/ sparks/ open flames/ hot surfaces. --No smoking. <p>Note: Manufacturer/supplier or the competent authority to specify applicable ignition source(s).</p> <ul style="list-style-type: none"> • Keep/store away from clothing/.../combustible materials. <p>Note:Manufacturer/supplier or the competent authority to specify other incompatible materials.</p> <ul style="list-style-type: none"> • Keep only in original container. • Wear protective gloves/ eye protection/ face protection. <p>Note: manufacturer/supplier or the competent authority to specify type of protective equipment.</p>	<ul style="list-style-type: none"> • In case of fire: use ...for extinction. <p>Note: ...manufacturer/supplier or the competent authority to specify appropriate fire-extinguishing agent.</p> <p>Note: If water increases risk.</p>	<ul style="list-style-type: none"> • Store at a well-ventilated place. Keep cool. • Store temperature not exceeding.....°C. <p>Note: manufacturer/supplier or the competent authority to specify temperature.</p> <ul style="list-style-type: none"> • Store away from other materials. 	<p>Dispose of contents/ containers to.....fill in in accordance with local/ regional/ national/ international regulations (rules)</p>
Pyrophoric liquids	1	<ul style="list-style-type: none"> • Keep away from heat/ sparks/ open flames/ hot surfaces. --No smoking. <p>Note: Manufacturer/supplier or the competent authority to specify applicable ignition source(s).</p>	<ul style="list-style-type: none"> • IF ON SKIN: Immerse in cool water/wrap with wet bandages. • In case of 	<p>Store contents under... ..manufacturer /supplier or the competent authority to specify appropriate</p>	

		<ul style="list-style-type: none"> • Do not allow contact with air. • Wear protective gloves/ eye protection/ face protection. <p>Note: manufacturer/supplier or the competent authority to specify type of protective equipment.</p>	<p>fire: use ...for extinction.</p> <p>Note: ...manufacturer/supplier or the competent authority to specify appropriate fire-extinguishing agent.</p> <p>Note: If water increases risk.</p>	liquid or inert gas.	
Pyrophoric solids	1	<ul style="list-style-type: none"> • Keep away from heat/ sparks/ open flames/ hot surfaces. --No smoking. <p>Note: Manufacturer/supplier or the competent authority to specify applicable ignition source(s).</p> <ul style="list-style-type: none"> • Do not allow contact with air. • Wear protective gloves/ eye protection/ face protection. <p>Note: manufacturer/supplier or the competent authority to specify type of protective equipment.</p>	<ul style="list-style-type: none"> • Brush off loose particles from skin, immersing contacted parts in cool water/wrap in wet bandages. • In case of fire: use ...for extinction. <p>Note: ...manufacturer/supplier or the competent authority to specify appropriate fire-extinguishing agent.</p> <p>Note: If water increases risk.</p>	Store contents under... ...manufacturer/supplier or the competent authority to specify appropriate liquid or inert gas.	
Self-heating substances and mixtures	1 2	<p>Keep cool, protect from sunlight.</p> <p>Note: manufacturer/supplier or the competent authority to specify type of protective equipment.</p>		<ul style="list-style-type: none"> • Maintain air gap between stacks/pallets. • Store bulk masses greater 	

				<p>than ...kg/...lbs at temperatures not exceeding ...°C.</p> <p>Note: manufacturer/supplier or the competent authority to specify mass and temperature.</p> <ul style="list-style-type: none"> • Store away from other materials. 	
<p>Substances and mixtures which, when in contact with water, emit flammable gases</p>	1 2	<ul style="list-style-type: none"> • Keep away from any possible contact with water, because of violent reaction and possible flash fire. • Handle under inert gas. Protect from moisture. • Wear protective gloves/ eye protection/ face protection. <p>Note: manufacturer/supplier or the competent authority to specify type of protective equipment.</p>	<ul style="list-style-type: none"> • Brush off loose particles from skin, immersing contacted parts in cool water/wrap in wet bandages. • In case of fire: use ...for extinction. <p>Note: ...manufacturer/supplier or the competent authority to specify appropriate fire-extinguishing agent.</p> <p>If water increases risk.</p>	<p>Store at a dry place. Store in a closed container.</p>	<p>Dispose of contents/containers to.....fill in in accordance with local/regional/national regulations (rules)</p>
	3	<ul style="list-style-type: none"> • Handle under inert gas. Protect from moisture. • Wear protective gloves/ eye protection/ face protection. <p>Note: manufacturer/supplier</p>	<p>In case of fire: use ...for extinction.</p> <p>Note: ...manufacturer/supplier or</p>	<p>Store at a dry place. Store in a closed container.</p>	<p>Dispose of contents/containers to.....fill in in accordance</p>

		<p>or the competent authority to specify type of protective equipment.</p>	<p>the competent authority to specify appropriate fire-extinguishing agent. If water increases risk.</p>		<p>e with local/regional/national/international regulations (rules)</p>
Oxidizing liquid	1	<ul style="list-style-type: none"> • Keep away from heat. • Keep/store away from clothing and other combustible materials. • Take any precautions to avoid mixing with combustibles/..... note:manufacturer/supplier or the competent authority to specify other incompatible materials. • Wear protective gloves/eye protection/ face protection. Note: manufacturer/supplier or the competent authority to specify type of protective equipment. • Wear fire/flame resistant/retardant clothing. 	<ul style="list-style-type: none"> • IF ON CLOTHING: Rinse contaminated clothing and skin immediately with plenty water before removing clothes. • In case of major fire and large quantities: evacuate area. • Fight fire remotely due to the risk of explosion. • In case of fire: use ...for extinction. Note: ...manufacturer/supplier or the competent authority to specify appropriate fire-extinguishing agent. If water 		<p>Dispose of contents/containers to.....fill in in accordance with local/regional/national/international regulations (rules)</p>

			increases risk.		
	2 3	<ul style="list-style-type: none"> • Keep away from heat. • Keep/store away from clothing and other combustible materials. <p>Note: manufacturer/supplier or the competent authority to specify other incompatible materials.</p> <ul style="list-style-type: none"> • Take any precautions to avoid mixing with combustibles/..... <p>note:manufacturer/supplier or the competent authority to specify other incompatible materials.</p> <ul style="list-style-type: none"> • Wear protective gloves/ eye protection/ face protection. <p>Note: manufacturer/supplier or the competent authority to specify type of protective equipment.</p> <ul style="list-style-type: none"> • Wear fire/flame resistant/retardant clothing. 	<ul style="list-style-type: none"> • In case of fire: use ...for extinction. <p>Note: ...manufacturer/supplier or the competent authority to specify appropriate fire-extinguishing agent.</p> <p>If water increases risk.</p>		Dispose of contents/ containers to..... note:fill in in accordance with local/ regional/ national/ international regulations (rules)
Oxidizing solids	1	<ul style="list-style-type: none"> • Keep away from heat. • Keep/store away from clothing and other combustible materials. • Take any precautions to avoid mixing with combustibles/..... <p>note:.....manufacturer/supplier or the competent authority to specify other incompatible materials.</p> <ul style="list-style-type: none"> • Wear protective gloves/ eye protection/ face protection. <p>Note: manufacturer/supplier</p>	<ul style="list-style-type: none"> • IF ON CLOTHING: Rinse contaminated clothing and skin immediately with plenty water before removing clothes. • In case of major fire and large quantities: evacuate 		Dispose of contents/ containers to..... note:fill in in accordance with local/ regional/ national/ international regulations (rules)

		<p>or the competent authority to specify type of protective equipment.</p> <ul style="list-style-type: none"> • Wear fire/flame resistant/retardant clothing. 	<p>area.</p> <ul style="list-style-type: none"> • Fight fire remotely due to the risk of explosion. • In case of fire: use ...for extinction. <p>Note: ...manufacturer/supplier or the competent authority to specify appropriate fire-extinguishing agent.</p> <p>If water increases risk.</p>		
2 3	<ul style="list-style-type: none"> • Keep away from heat. • Keep/store away from clothing and other combustible materials. <p>Note: manufacturer/supplier or the competent authority to specify other incompatible materials.</p> <ul style="list-style-type: none"> • Take any precautions to avoid mixing with combustibles/..... <p>note:manufacturer/supplier or the competent authority to specify other incompatible materials.</p> <ul style="list-style-type: none"> • Wear protective gloves/eye protection/ face protection. <p>Note: manufacturer/supplier or the competent authority to</p>	<ul style="list-style-type: none"> • In case of fire: use ...for extinction. <p>Note: ...manufacturer/supplier or the competent authority to specify appropriate fire-extinguishing agent.</p> <p>If water increases risk.</p>		<p>Dispose of contents/containers to.....</p> <p>note:fill in in accordance with local/regional/national/international regulations (rules)</p>	

		<p>specify type of protective equipment.</p> <ul style="list-style-type: none"> • Wear fire/ flame resistant/retardant clothing. 			
Organic peroxides	Type A	<ul style="list-style-type: none"> • Keep away from heat/ sparks/ open flames/ hot surfaces. --No smoking. <p>Note: Manufacturer/supplier or the competent authority to specify applicable ignition source(s).</p> <ul style="list-style-type: none"> • Keep/store away from clothing/.../combustible materials. <p>Note:Manufacturer/supplier or the competent authority to specify other incompatible materials.</p> <ul style="list-style-type: none"> • Keep only in original container. • Wear protective gloves/ eye protection/ face protection. <p>Note: manufacturer/supplier or the competent authority to specify type of protective equipment.</p>		<ul style="list-style-type: none"> • Store at a temperature not exceeding ...°C. <p>Keep cool.</p> <p>Note:Manufacturer/supplier or the competent authority to specify temperature.</p> <ul style="list-style-type: none"> • Protect from sunlight. • Store away from other materials. 	<p>Dispose of contents/ containers to.....</p> <p>note:fill in in accordance with local/ regional/ national/ international regulations (rules)</p>
	Type B	<ul style="list-style-type: none"> • Keep away from heat/ sparks/ open flames/ hot surfaces. --No smoking. <ul style="list-style-type: none"> • Keep/store away from clothing/.../combustible materials. <p>Note:Manufacturer/supplier or the competent authority to specify other incompatible materials.</p> <ul style="list-style-type: none"> • Keep only in original container. • Wear protective gloves/ 		<ul style="list-style-type: none"> • Store at a temperature not exceeding ...°C. <p>Keep cool.</p> <p>Note:Manufacturer/supplier or the competent authority to specify temperature.</p> <ul style="list-style-type: none"> • Protect from sunlight. • Store away 	<p>Dispose of contents/ containers to.....</p> <p>note:fill in in accordance with local/ regional/ national/ international regulation</p>

		<p>eye protection/ face protection. Note: manufacturer/supplier or the competent authority to specify type of protective equipment.</p>		<p>from other materials.</p>	<p>s (rules)</p>
	<p>Type C Type D Type E Type F</p>	<ul style="list-style-type: none"> • Keep away from heat/ sparks/ open flames/ hot surfaces. --No smoking. <p>Note: Manufacturer/supplier or the competent authority to specify applicable ignition source(s).</p> <ul style="list-style-type: none"> • Keep/store away from clothing/.../combustible materials. <p>Note:Manufacturer/supplier or the competent authority to specify other incompatible materials.</p> <ul style="list-style-type: none"> • Keep only in original container. • Wear protective gloves/ eye protection/ face protection. <p>Note: manufacturer/supplier or the competent authority to specify type of protective equipment.</p>		<ul style="list-style-type: none"> • Store at a temperature not exceeding ...o C. Keep cool. <p>Note:Manuf acturer/supplier or the competent authority to specify temperature.</p> <ul style="list-style-type: none"> • Protect from sunlight. • Store away from other materials. 	<p>Dispose of contents/ containers to..... note:f ill in in accordanc e with local/ regional/ national/ internation al regulation s (rules)</p>
<p>Corrosive to metals</p>	<p>1</p>	<p>Keep only in original container.</p>	<p>Absorb spillage to prevent material damage.</p>	<p>Store at a corrosiveresistan t/..... container with a resistant inner liner. Note: manufacturer/sup plier or the competent authority to</p>	

				specify other compatible materials.	
Acute toxicity – oral	1 2	<ul style="list-style-type: none"> • Wash.....thoroughly after handling. <p>Note:.....manufacturer/supplier or the competent authority to specify parts of the body to be washed after handling.</p> <ul style="list-style-type: none"> • Do not eat, drink or smoke at the place where applying this product 	<ul style="list-style-type: none"> • IF SWALLOWED: call a POISON CENTRE or doctor/physician immediately. • Specific treatment (see...on this label) <p>Note: ...Refer to supplemental first aid instruction. If immediate administration of antidote is required.</p> <ul style="list-style-type: none"> • Rinse mouth 	Store locked up.	Dispose of contents/containers to..... note:fill in in accordance with local/regional/national/international regulations (rules)
	3	<ul style="list-style-type: none"> • Wash.....thoroughly after handling. <p>Note:.....manufacturer/supplier or the competent authority to specify parts of the body to be washed after handling.</p> <ul style="list-style-type: none"> • Do not eat, drink or smoke at the place where applying this product 	<ul style="list-style-type: none"> • IF SWALLOWED: call a POISON CENTRE or doctor/physician immediately. • Specific treatment (see...on this label) <p>Note: ...Refer to supplemental first aid</p>	Store locked up.	Dispose of contents/containers to..... note:fill in in accordance with local/regional/national/international regulations (rules)

			<p>instruction.</p> <p>If immediate administration of antidote is required.</p> <ul style="list-style-type: none"> • Rinse mouth 		
	4	<ul style="list-style-type: none"> • Wash.....thoroughly after handling. <p>Note:.....manufacturer/supplier or the competent authority to specify parts of the body to be washed after handling.</p> <ul style="list-style-type: none"> • Do not eat, drink or smoke at the place where applying this product 	<ul style="list-style-type: none"> • IF SWALLOWED: call a POISON CENTRE or doctor/physician if you feel unwell. • Rinse mouth. 		<p>Dispose of contents/containers to.....</p> <p>note:fill in in accordance with local/regional/national/international regulations (rules)</p>
	5		<p>Call a POISON CENTRE or doctor/physician if you feel uncomfortable</p>		<p>Dispose of contents/containers to.....</p> <p>note:fill in in accordance with local/regional/national/international regulations (rules)</p>
Acute toxicity - dermal	1 2	<ul style="list-style-type: none"> • Do not get in eyes, on skin, or on clothing. • Wash..... thoroughly after handling. <p>Note:.....manufacturer/supplier or the competent authority to</p>	<ul style="list-style-type: none"> • If ON SKIN: gently wash with plenty of soap and water. • Call a POISON 	Store locked up.	<p>Dispose of contents/containers to.....</p> <p>note:fill in in accordance</p>

		<p>specify parts of the body to be washed after handling.</p> <ul style="list-style-type: none"> • Do not eat, drink or smoke in the place in which this product is applied. • Wear protective gloves/protective clothing. <p>Note: manufacturer/supplier or the competent authority to specify type of protective equipment.</p>	<p>CENTRE or doctor/physician immediately.</p> <ul style="list-style-type: none"> • Special treatment (see.....on this label). <p>Note:Refer to supplemental first aid instruction. If immediate measures such as specific cleansing agent is advised.</p> <ul style="list-style-type: none"> • Immediately remove/take off all contaminated clothing. • Wash contaminated clothing before next use 		<p>e with local/regional/national/international regulations (rules)</p>
	3	<ul style="list-style-type: none"> • Wear protective gloves/protective clothing. <p>Note: manufacturer/supplier or the competent authority to specify type of protective equipment.</p>	<ul style="list-style-type: none"> • If ON SKIN: gently wash with plenty of soap and water. • Call a POISON CENTRE or doctor/physician if you feel unwell. • Special 	Store locked up.	<p>Dispose of contents/containers to..... note:fill in in accordance with local/regional/national/international</p>

			<p>treatment (see.....on this label). Note:Refer to supplemental first aid instruction. If immediate measures such as specific cleansing agent is advised.</p> <ul style="list-style-type: none"> • Immediately remove/take off all contaminated clothing. • Wash contaminated clothing before next use. 		<p>regulations (rules)</p>
	4	<ul style="list-style-type: none"> • Wear protective gloves/protective clothing. Note: manufacturer/supplier or the competent authority to specify type of protective equipment. 	<ul style="list-style-type: none"> • If ON SKIN: gently wash with plenty of soap and water. • Call a POISON CENTRE or doctor/physician if you feel unwell. • Special treatment (see.....on this label). Note:Refer to supplemental 		<p>Dispose of contents/containers to..... note:fill in in accordance with local/regional/national/international regulations (rules)</p>

			<p>first aid instruction.</p> <p>If immediate measures such as specific cleansing agent is advised.</p> <ul style="list-style-type: none"> • Wash contaminated clothing before reuse. 		
	5		<ul style="list-style-type: none"> • Call a POISON CENTRE or doctor/physician if you feel unwell. 		
Acute toxicity – inhalation	1 2	<ul style="list-style-type: none"> • Do not inhale dust/fume/gas/mist/vapours/spray. • Use only outdoors or in a well-ventilated area. • Wear respiratory protection. <p>Note: manufacturer/supplier or the competent authority to specify protective equipment.</p>	<ul style="list-style-type: none"> • IF INHALED: victim should be taken out into fresh air and should rest in a comfortable position which enables breathing. • Immediately call a POISON CENTRE or doctor/physician. • Specific treatment if urgent (See...on this label). <p>Note:Ref</p>	<ul style="list-style-type: none"> • Store at a well-ventilated place. • Keep container tightly closed. <p>Note: if product is volatile as to generate hazardous atmosphere.</p> <ul style="list-style-type: none"> • Store locked up. 	<p>Dispose of contents/containers to.....</p> <p>note:f ill in in accordance with local/regional/national international regulations (rules)</p>

			er to supplemental first aid instruction. If immediate administration of antidote is required.		
3	<ul style="list-style-type: none"> • Do not inhale dust/fume/gas/mist/vapours/spray. • Only use outdoors or in a well-ventilated area. 	<ul style="list-style-type: none"> • IF INHALED: victim should be taken out into fresh air and should rest in a comfortable position which enables breathing. • Immediately call a POISON CENTRE or doctor/physician. • Specific treatment if urgent (See...on this label). <p>Note:Refer to supplemental first aid instruction. If immediate administration of antidote is required.</p>	<ul style="list-style-type: none"> • Store at a well-ventilated place. • Keep container tightly closed. <p>Note: if product is volatile as to generate hazardous atmosphere.</p> <ul style="list-style-type: none"> • Store locked up. 	Dispose of contents/containers to..... note:fill in in accordance with local/regional/national regulations (rules)	
4	<ul style="list-style-type: none"> • Do not inhale dust/fume/gas/mist/vapours/spray. • Only use outdoors or in a 	<ul style="list-style-type: none"> • IF INHALED: victim should be 			

		well-ventilated area.	taken out into fresh air and should rest in a comfortable position which enables breathing. • Call a POISON CENTRE or doctor/physician if you feel unwell.		
	5		IF INHALED: Call a POISON CENTRE or doctor/physician if you feel unwell.		
Skin corrosion/irritation	1A to 1C	<ul style="list-style-type: none"> Do not inhale dusts or mists. <p>Note: if inhalable particles of dusts or mists may occur during use.</p> <ul style="list-style-type: none"> Wash.....thoroughly after handling..... <p>note: manufacturer/supplier or the competent authority to specify parts of the body to be washed after handling.</p> <ul style="list-style-type: none"> Wear protective gloves/protective clothing/eye protection/face protection. <p>Note: manufacturer/supplier or the</p>	<ul style="list-style-type: none"> IF SWALLOWED: rinse mouth. DO NOT induce vomiting. IF ON SKIN (or hair): remove/take off all contaminated clothing immediately. Rinse skin with water/shower. Wash contaminated clothing before reuse. IF 	Store locked up.	Dispose of contents/containers to..... note:fill in in accordance with local/regional/national regulations (rules)

		competent authority to specify type of protective equipment.	<p>INHALED: victim should be taken out into fresh air and should rest in a comfortable position which enables breathing.</p> <ul style="list-style-type: none">• Call a POISON CENTRE or doctor/physician immediately.• Specific treatment (see.....on this label) <p>note: refer to supplemental first aid instruction. manufacturer/supplier or the competent authority may specify a cleansing agent where appropriate.</p> <ul style="list-style-type: none">• IF IN EYE: rinse gently with water for several minutes. Remove contact lenses, if present and		
--	--	--	---	--	--

			easy to do. Continue rinsing.		
2	<ul style="list-style-type: none"> • Wash.....thoroughly after handling..... note: manufacturer/supplier or the competent authority to specify parts of the body to be washed after handling. • Wear protective gloves. Note: manufacturer/supplier or the competent authority to specify type of protective equipment. 	<ul style="list-style-type: none"> • IF ON SKIN: wash with plenty of soap and water. • Specific treatment (see.....on this label) note: refer to supplemental first aid instruction. manufacturer/supplier or the competent authority may specify a cleansing agent if appropriate. • If skin irritation occurs: seek medical advice/ attention. • Remove contaminated clothing and wash before reuse. 			
3			<ul style="list-style-type: none"> • If skin irritation occurs: seek medical advice/ attention. 		

Eye damage/ irritation	1	<p>Wear eye protection/ face protection.</p> <p>Note: manufacturer/supplier or the competent authority to specify type of protective equipment.</p>	<p>• IF IN EYES: rinse cautiously with water for several minutes. Remove contact lenses, if present and easy to do. Continue rinsing.</p> <p>• Call a POISON CENTRE or doctor/physician immediately.</p>		
	2A	<p>• Wash.....thoroughly after handling.....</p> <p>note: manufacturer/supplier or the competent authority to specify parts of the body to be washed after handling.</p> <p>• Wear protective gloves/face protection.</p> <p>Note: manufacturer/supplier or the competent authority to specify type of protective equipment.</p>	<p>• IF IN EYES: rinse cautiously with water for several minutes. Remove contact lenses, if present and easy to do. Continue rinsing.</p> <p>• If eye irritation persists: seek medical advice/ attention.</p>		
	2B	<p>• Wash.....thoroughly after handling.....</p> <p>note: manufacturer/supplier or the competent authority to specify parts of the body to be washed</p>	<p>• IF IN EYES: rinse cautiously with water for several minutes. Remove</p>		

		after handling.	contact lenses, if present and easy to do. Continue rinsing. • If eye irritation persists: seek medical advice/ attention.		
Sensitization - respiratory	1	<ul style="list-style-type: none"> • Avoid breathing dust/fume/gas/mist/vapours/ spray. <p>Note: manufacturer/supplier or the competent authority to specify applicable conditions.</p> <ul style="list-style-type: none"> • In case of inadequate ventilation wear respiratory protection. <p>Note: manufacturer/supplier or the competent authority to specify protective equipment.</p>	<ul style="list-style-type: none"> • IF INHALED: if breathing is difficult, victim should be taken out into fresh air and should rest in a comfortable position which enables breathing. • If experiencing respiratory symptoms: call a POISON CENTRE or doctor/physician. 		Dispose of contents/ containers to..... note:fill in in accordance with local/ regional/ national/ international regulations (rules)
Sensitization - skin	1	<ul style="list-style-type: none"> • Avoid breathing dust/fume/gas/mist/vapours/ spray. <p>Note: manufacturer/supplier or the competent authority to specify applicable conditions.</p> <ul style="list-style-type: none"> • Contaminated work 	<ul style="list-style-type: none"> • IF ON SKIN: wash with plenty soap and water. • If skin irritation occurs: seek medical 		Dispose of contents/ containers to..... note:fill in in accordance with local/

		<p>clothing should not be allowed out of the work place.</p> <p>Note: manufacturer/supplier or the competent authority to specify protective equipment.</p>	<p>advice/attention.</p> <ul style="list-style-type: none"> • Specific treatment (see.....on this label) <p>note: refer to supplemental first aid instruction.</p> <p>manufacturer/supplier or the competent authority may specify a cleansing agent if appropriate.</p> <ul style="list-style-type: none"> • Contaminated clothing should be washed before reuse. 		<p>regional/national/international regulations (rules)</p>
Germ cell mutagenicity	1 2	<ul style="list-style-type: none"> • Obtain special instructions before use. • Do not handle until all safety precautions have been read and understood. • Use personal protective equipment as required. 	<p>If exposed or concerned: seek medical advice/attention.</p>	Store locked up.	<p>Dispose of contents/containers to.....</p> <p>note:fill in in accordance with local/regional/national/international regulations (rules)</p>
Carcinogenicity	1 2	<ul style="list-style-type: none"> • Obtain special instructions before use. • Do not handle until all safety precautions have been read and understood. 	<p>If exposed or concerned: seek medical advice/attention.</p>	Store locked up.	<p>Dispose of contents/containers to.....</p> <p>note:f</p>

		<ul style="list-style-type: none"> • Use personal protective equipment as required. 	n.		ill in in accordance with local/regional/national/international regulations (rules)
Reproductive toxicity	1 2	<ul style="list-style-type: none"> • Obtain special instructions before use. • Do not handle until all safety precautions have been read and understood. • Use personal protective equipment as required. 	If exposed or concerned: seek medical advice/attention.	Store locked up.	Dispose of contents/containers to..... note:f ill in in accordance with local/regional/national/international regulations (rules)
	(Additional)	<ul style="list-style-type: none"> • Obtain special instructions before use. • Do not inhale dusts or mists. <p>Note: if inhalable particles of dusts or mists may occur during use.</p> <ul style="list-style-type: none"> • Avoid contact during pregnancy /while nursing. • Wash.....thoroughly after handling. <p>Note:manufacturer/supplier or the competent authority to specify parts of the body to be washed after handling.</p>	If exposed or concerned: seek medical advice/attention.		

		<ul style="list-style-type: none"> Do not eat, drink or smoke at the work place when applying this product. 			
Specific target organ systemic toxicity – single exposure	1	<ul style="list-style-type: none"> Do not inhale dust/fume/gas/mist/vapours/spray. <p>Note: manufacturer/supplier or the competent authority to specify applicable conditions.</p> <ul style="list-style-type: none"> Wash.....thoroughly after handling. <p>Note:manufacturer/supplier or the competent authority to specify parts of the body to be washed after handling.</p> <ul style="list-style-type: none"> Do not eat, drink or smoke at the work place when applying this product. 	<ul style="list-style-type: none"> If exposed: call a POISON CENTRE or doctor/physician. Specific treatment(see.....on this label) <p>note: refer to supplemental first aid instruction. If immediate measures are required.</p>	Store locked up.	Dispose of contents/containers to..... note:fill in in accordance with local/regional/national regulations (rules)
	2	<ul style="list-style-type: none"> Do not inhale dust/fume/gas/mist/vapours/spray. <p>Note: manufacturer/supplier or the competent authority to specify applicable conditions.</p> <ul style="list-style-type: none"> Wash.....thoroughly after handling. <p>Note:manufacturer/supplier or the competent authority to specify parts of the body to be washed after handling.</p> <ul style="list-style-type: none"> Do not eat, drink or smoke at the work place when applying this product. 	<ul style="list-style-type: none"> If exposed if you feel unwell: call a POISON CENTRE or doctor/physician. 	Store locked up.	Dispose of contents/containers to..... note:fill in in accordance with local/regional/national regulations (rules)
	3	<ul style="list-style-type: none"> Do not inhale dust/fume/gas/mist/vapours/ 	<ul style="list-style-type: none"> IF INHALED: 	<ul style="list-style-type: none"> Store at a well-ventilated 	Dispose of contents/

		<p>spray.</p> <p>Note: manufacturer/supplier or the competent authority to specify applicable conditions.</p> <ul style="list-style-type: none"> • Use only outdoors or in a well-ventilated area. 	<p>victim should be taken out into fresh air and should rest in a comfortable position which enables breathing.</p> <ul style="list-style-type: none"> • Call a POISON CENTRE or doctor/physician if you feel unwell. 	<p>place.</p> <ul style="list-style-type: none"> • Keep container tightly closed. <p>Note: if product is volatile so as to generate hazardous atmosphere.</p> <ul style="list-style-type: none"> • Store locked up. 	<p>containers to.....</p> <p>note:fill in in accordance with local/regional/national regulations (rules)</p>
Specific target organ systemic toxicity – repeated exposure	1	<ul style="list-style-type: none"> • Do not inhale dust/fume/gas/mist/vapours/spray. <p>Note: manufacturer/supplier or the competent authority to specify applicable conditions.</p> <ul style="list-style-type: none"> • Wash.....thoroughly after handling. <p>Note:manufacturer/supplier or the competent authority to specify parts of the body to be washed after handling.</p> <ul style="list-style-type: none"> • Do not eat, drink or smoke at the work place when applying this product. 	<p>Seek medical advice/attention if you feel unwell.</p>		<p>Dispose of contents/containers to.....</p> <p>note:fill in in accordance with local/regional/national regulations (rules)</p>
	2	<ul style="list-style-type: none"> • Do not inhale dust/fume/gas/mist/vapours/spray. <p>Note: manufacturer/supplier or the competent authority to specify</p>	<p>Seek medical advice/attention if you feel unwell.</p>		<p>Dispose of contents/containers to.....</p> <p>note:fill in in accordance</p>

		applicable conditions			e with local/regional/national/international regulations (rules)
Aspiration hazard	1 2		<ul style="list-style-type: none"> • IF SWALLOWED: call a POISON CENTRE or doctor/physician immediately. • DO NOT induce vomiting. 	Store locked up.	Dispose of contents/containers to..... note:fill in in accordance with local/regional/national/international regulations (rules)
Hazardous to the aquatic environment – acute hazard	1	Avoid release to the environment. Note: if this is not the intended use.	Collect spillage		Dispose of contents/containers to..... note:fill in in accordance with local/regional/national/international regulations (rules)
	2 3	Avoid release to the environment. Note: if this is not the intended use.			Dispose of contents/containers to..... note:fill in in

					accordance with local/ regional/ national/ international regulations (rules)
Hazardous to the aquatic environment – chronic hazard	1 2	Avoid release to the environment. Note: if this is not the intended use.	Collect spillage		Dispose of contents/ containers to..... note:fill in in accordance with local/ regional/ national/ international regulations (rules)
	3 4	Avoid release to the environment. Note: if this is not the intended use.			Dispose of contents/ containers to..... note:fill in in accordance with local/ regional/ national/ international regulations (rules)

National Standard of
The People's Republic of China

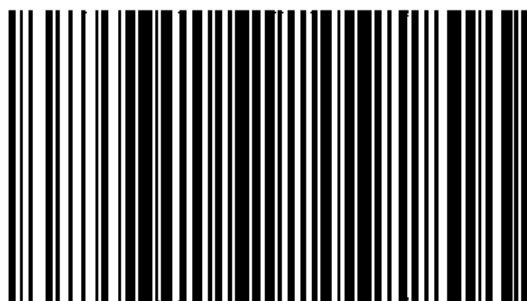
General Rule for Preparation of Precautionary Label for Chemicals

GB 15258 – 2009

Published by Standards Press of China (SPC)
16 Hebei Street, San Li He, Fu Xing Men Wai, Beijing 100045
Website: www.spc.net.cn
Tel: 86 10 6852 3946 6851 7548

Printed by Qinhuang Dao Printing House Ltd., Standards Press of China
Distributed by Xinhua Book Stores across the country

Book size: 880 x 1230 1/16
Printed Sheets: 1.75
Word Count: 46,000 characters



GB 15258-2009

1st ed. November 2009
1st printing, November 2009
ISBN: 155066-1-38760

**If there is any printing error,
please return your books to SPC to get corrected ones.**

All rights reserved. Legal actions will be brought against tortfeasors.

Please call us to report any tort against the book at 86 10 6853 3533.